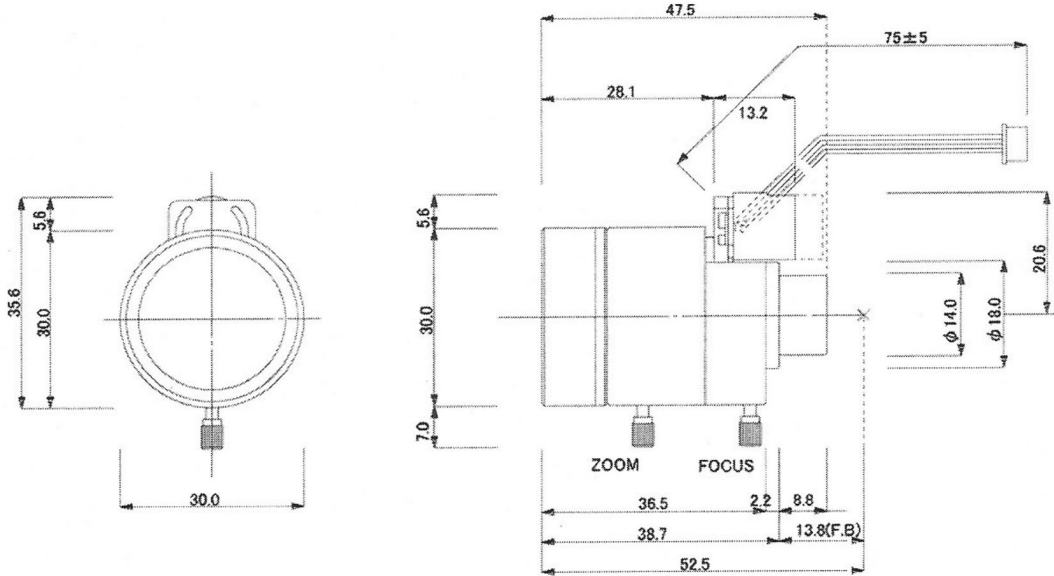




TEKBV650DCIR



Scale 1: 1

Specifications

Specifications are subject to change without notice

Model No.	TEKBV650DCIR		Effective	Front	Φ22.0mm
Focal Length	6.0 - 50mm		Lens Diameter	Rear	Φ7.34mm
Max. Aperture Ratio	1:1.6 - 360		Back Focal Length	6.51mm - 11.87mm	
Max. Image Format	1/3" & 1/4"		Flange Back Length		
Operation	Iris	Auto (F1.3-360)	Mount	Φ14mm Straight	
	Focus	Manual	Dimensions	Φ30mm x 35.6mm x 46.5mm	
	Zoom	Manual	Weight		
Angle of View (1/3")	D	54.6 - 7.1	Operating	Open	3.5 ~ 2.5V / 60mA Min.
	H	43.9 - 5.7	Voltage	Close	0.4 ~ 0.6V / 17mA Max.
	V	33.2 - 4.3	Operating Temperature	-10C - +50C	

Wiring Diagram

DC Iris			IR cut filter		
1	Red	Control (+)	1	Yellow	IR filter OUT (+) 190Ω
2	Brown	Control (-) 465Ω	2	Brown	
3	Yellow	Drive (+) 190Ω	Molex 2 pin connector 5101-0200		
4	Orange	Drive (-)			

Molex 4 pin connector 51021-0400

TEKSTAR Optical Inc.

270 KOHR RD
KINGS PARK, NY 11754-1237
Toll Free: 888-LENS-GUY (888-536-7489)
Phone: 631-663-3558
Toll Free Fax: 1-888-CCTVFX1
Fax: 631-269-5368
E-mail: info@tekstaroptical.com
www.tekstaroptical.com