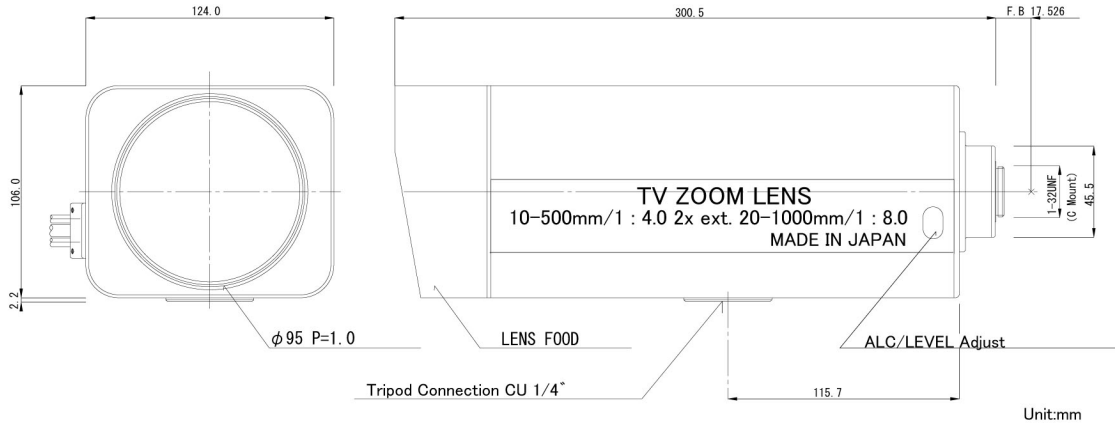




TEK50XM2X/TEK50XMP2X



SPECIFICATION					
FORMAT	1/2"				
MOUNT	C MOUNT				
FOCAL LENGTH	10 - 500 mm / 20-1000mm (with 2ex.)				
IRIS RANGE	F4.0 - 125/F8.0-250 (with 2ex.) option : F4.0-360/F8.0-720				
ANGLE OF VIEW	(1/2") 2ex. 43.6 (D) x 35.5 (H) x 27.0 (V)° (WIDE) 22.6 (D) x 18.2 (H) x 13.7 (V)° (WIDE) 0.9 (D) x 0.7 (H) x 0.6 (V)° (TELE) 0.5 (D) x 0.4 (H) x 0.3 (V)° (TELE) (1/3") 2ex. 33.6 (D) x 27.0 (H) x 20.7 (V)° (WIDE) 17.1 (D) x 13.7 (H) x 10.3 (V)° (WIDE) 0.7 (D) x 0.6 (H) x 0.4 (V)° (TELE) 0.4 (D) x 0.3 (H) x 0.2 (V)° (TELE)				
M.O.D.	4.0 M				
BACK FOCAL LENGTH	62.67 mm				
FLANGE BACK LENGTH	17.526 mm				
FILTER SCREW SIZE	M95 P = 1				
DIMENSIONS	124.0 (W) x 106.0 (H) x 300.5 (L) mm				
WEIGHT	3200g				
OPERATION	< IRIS > MOTORIZED CONTROL VOLTAGE : DC6-12 V, MAX.40mA(6V) MOTORIZATION SPEED : APPROX. 4.5sec.(6V) <ZOOM> MOTORIZED CONTROL VOLTAGE : DC6-12 V, MAX.50mA(6V) MOTORIZATION SPEED : APPROX. 8.0sec.(6V) <FOCUS> MOTORIZED CONTROL VOLTAGE : DC6-12 V, MAX.50mA(6V) MOTORIZATION SPEED : APPROX. 13.0sec.(6V) <EXTENDER> MOTORIZED CONTROL VOLTAGE : DC6-12 V, MAX.50mA(6V) MOTORIZATION SPEED : APPROX. 3.0sec.(6V)				
OPERATING TEMPERATURE	-10 - +50°C				
[CABLE CONNECTION]					
< 10 CORE CABLE FOR ZOOM, FOCUS, IRIS AND EXTENDER >					
YELLOW	ZOOM (+)	TELE	BROWN	IRIS (-)	
RED	ZOOM		BLUE	EXTENDER (+)	2X
GREEN	FOCUS (+)	NEAR	GRAY	EXTENDER	
BLACK	FOCUS		ORANGE	NC	
WHITE	IRIS (+)		PURPLE	NC	
< 4 CORE CABLE FOR ZOOM AND FOCUS PRESETS >					
RED	POT SUPPLY	POWER (+)			
GREEN	FOCUS OUT				
WHITE	ZOOM OUT				
BLACK	POT RETURN	POWER (-)			

Specifications are subject to change without notice.

TEKSTAR Optical Inc.

270 KOHR RD
KINGS PARK, NY 11754-1237
Toll Free: 888-LENS-GUY (888-536-7489)
Phone: 631-663-3558
Toll Free Fax: 1-888-CCTVFX1
Fax: 631-269-5368
E-mail: info@tekstaroptical.com
www.tekstaroptical.com