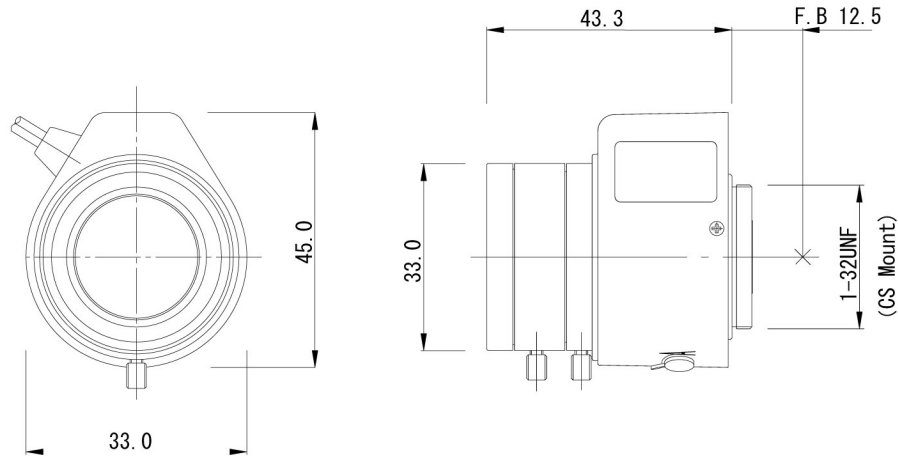




TEK308VIR

IR VARIFOCAL DAY/NIGHT CAMERA APPROVED



SPECIFICATION		
FORMAT		1/3"
MOUNT		CS MOUNT
FOCAL LENGTH		3.3 - 8.0 mm
IRIS RANGE		F1.4 - 360
ANGLE OF VIEW	(1/3")	101.5° (D) x 81.1° (H) x 60.4° (V) (WIDE) 43.3° (D) x 34.5° (H) x 25.8° (V) (TELE)
WAVE LENGTH RANGE		Approx.400 - 900nm
M.O.D.		0.3 M
BACK FOCAL LENGTH		8.81mm
FLANGE BACK LENGTH		12.5 mm
DIMENSIONS		33.0 (W) x 45.0 (H) x 43.3 (L) mm
WEIGHT		Approx.49 g
OPERATION	< IRIS > AUTO (VIDEO)	INPUT VOLTAGE : DC8 - 16V, MAX. 30 mA INPUT SIGNAL : VIDEO SIGNAL (V or VS) INPUT IMPEDANCE : HIGH IMPEDANCE SENSITIVITY ADJUSTMENT : 0.5 - 1.0 V _{p-p} RESPOND SPEED : 3.0sec. or less
	<FOCUS> MANUAL	WITH LOCK SCREW
	<ZOOM> MANUAL	WITH LOCK SCREW
OPERATING TEMPERATURE		-10 - +50°C
COMMENTS		APPLICABLE WAVELENGTH : 400nm~900nm
[CABLE CONNECTION]		
< 4 CORE CABLE FOR AUTO-IRIS >		
WHITE	VIDEO SIGNAL	0.5 - 1.0V _{p-p}
RED	POWER (+)	DC8 - 16V
BLACK	POWER (-)	GND
GREEN	NC	

Specifications are subject to change without notice.

TEKSTAR Optical Inc.

270 KOHR RD
KINGS PARK, NY 11754-1237
Toll Free: 888-LENS-GUY (888-536-7489)
Phone: 631-663-3558
Toll Free Fax: 1-888-CCTVFX1
Fax: 631-269-5368
E-mail: info@tekstaroptical.com
www.tekstaroptical.com